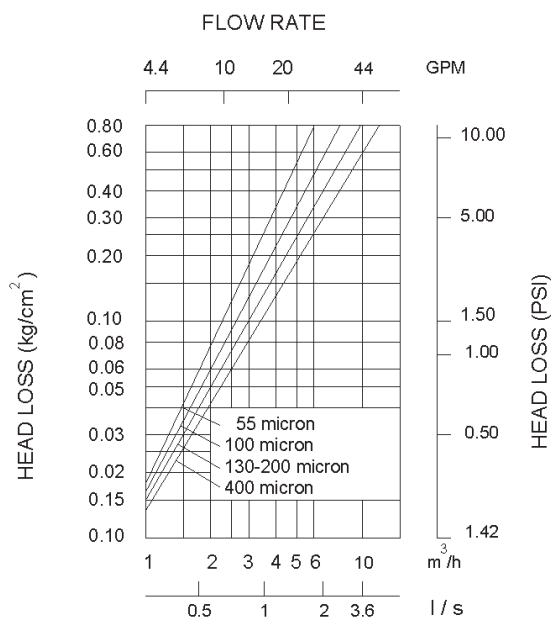
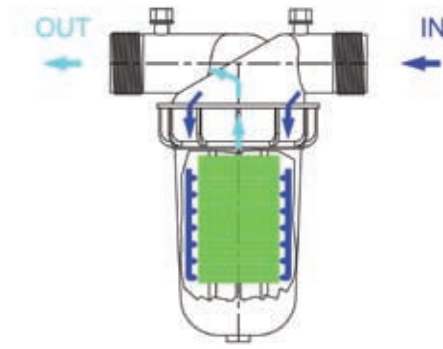
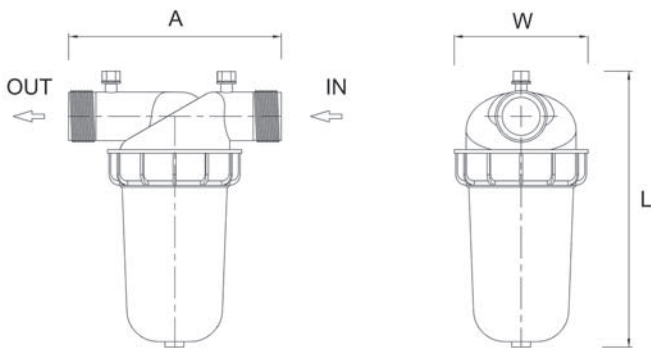


# 1½" Short Manual Disc Filter

## Dimensions and Weights

D Inlet/Outlet diameter	mm	40	inch	1 1/2
L Length	mm	250	inch	9 27/32
W Width	mm	130	inch	5 3/32
A	mm	200	inch	7 7/8
Shipping weight (approx.)	kg	1.3	lbs	2.9



1½" Short is available in:  
Polyamide or Polypropylene.