

European Community Design Registration RCD 000929971

Tork Matic® Hand Towel Roll Dispenser

Elevation
Design

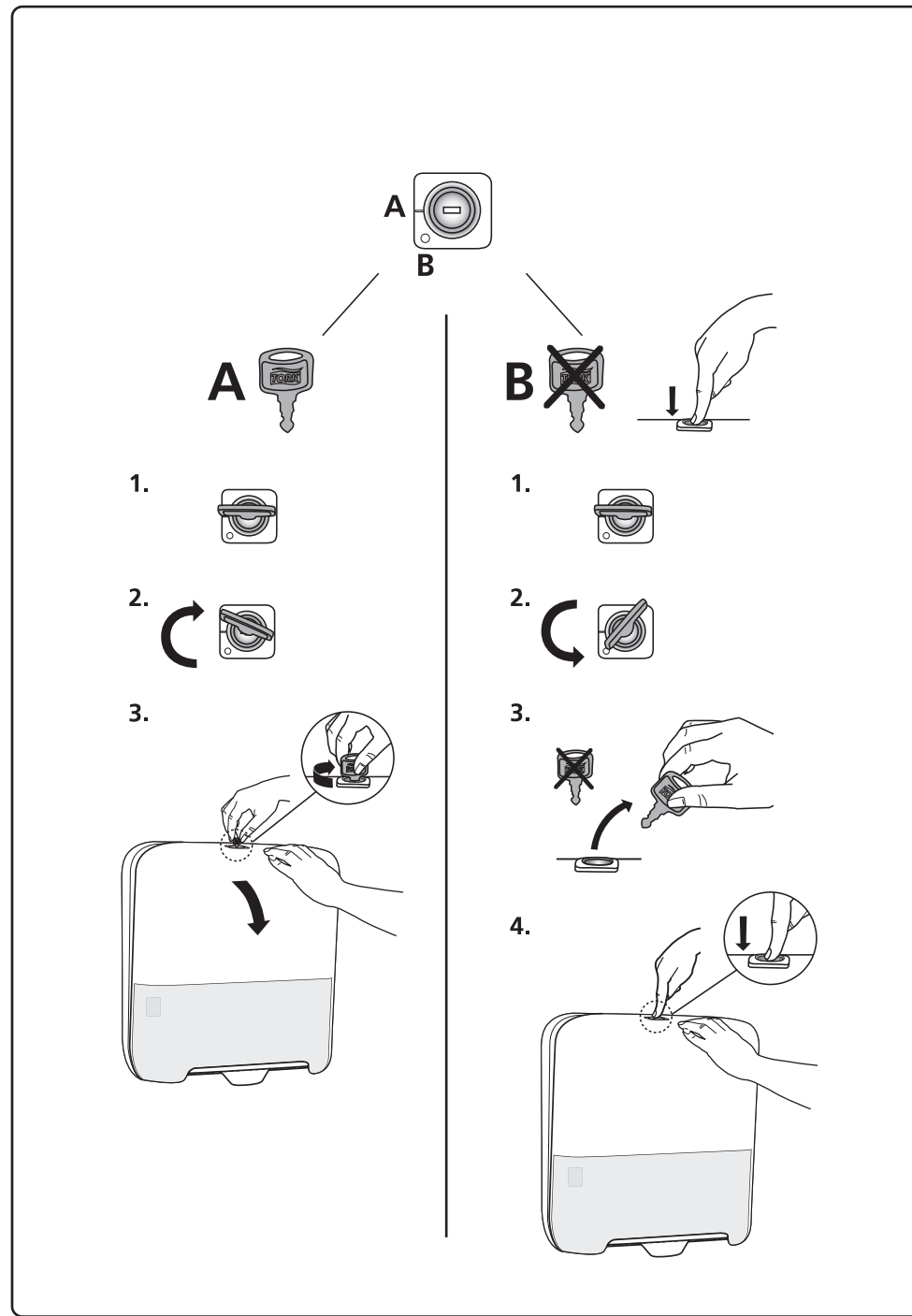
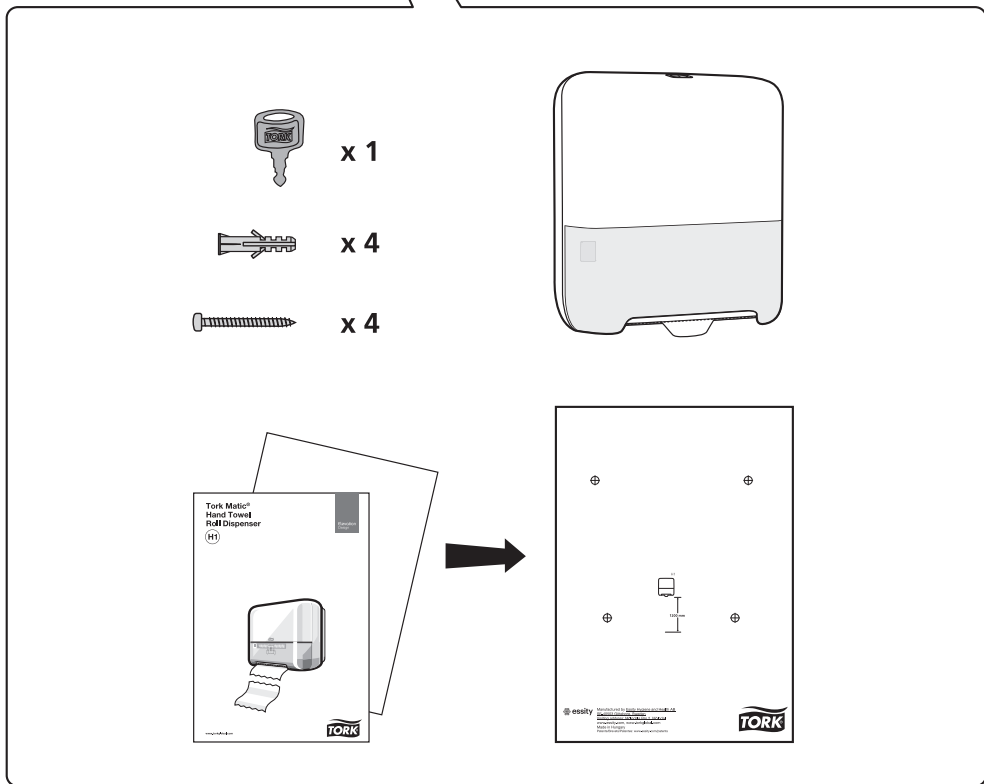
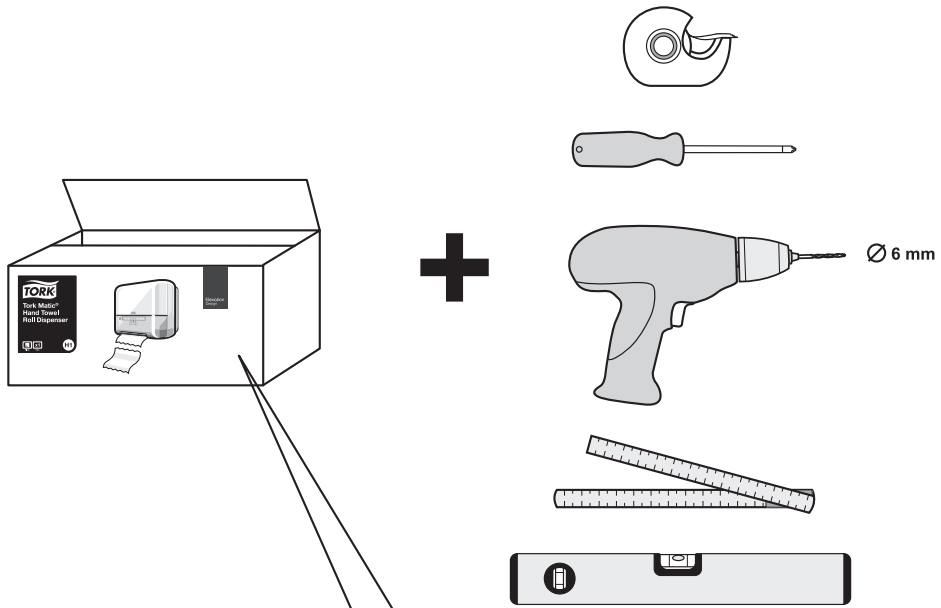
H1



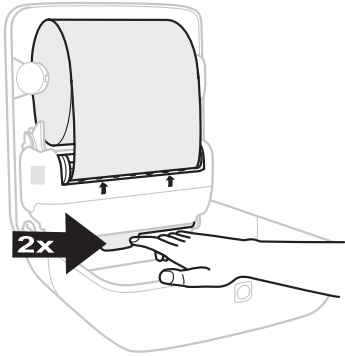
Manufactured by Essity Hygiene and Health AB
SE-40503 Göteborg, Sweden
Visiting address: Mölndals Bro 2, Mölndal
www.essity.com, www.torkglobal.com
Made in Hungary
Patents/Brevets/Patentes: www.essity.com/patents

www.torkglobal.com

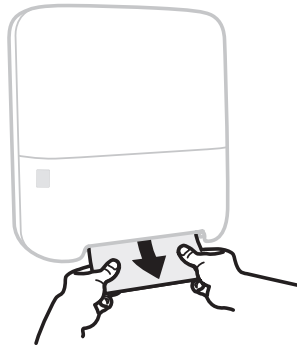




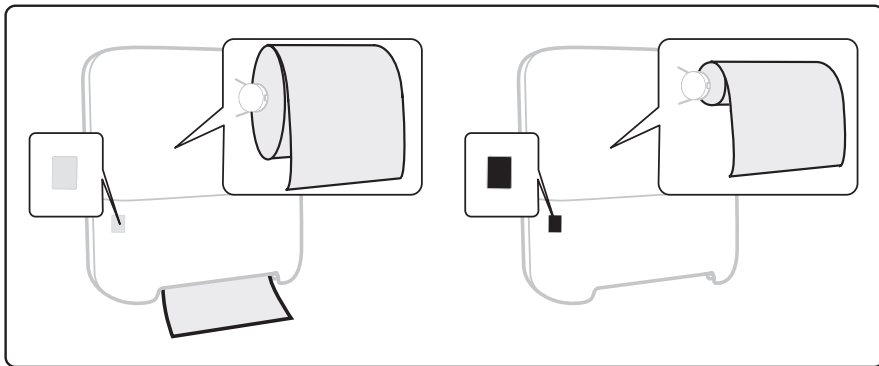
5.



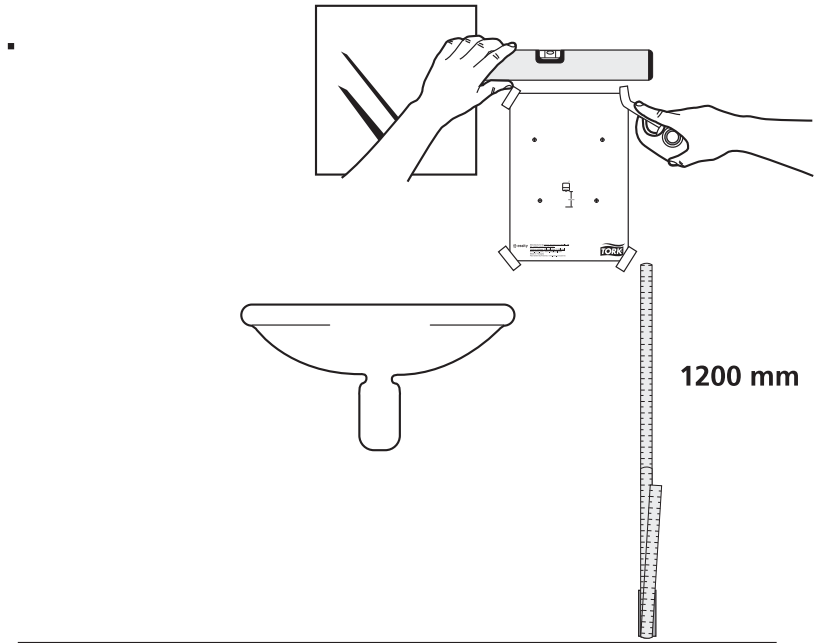
6.



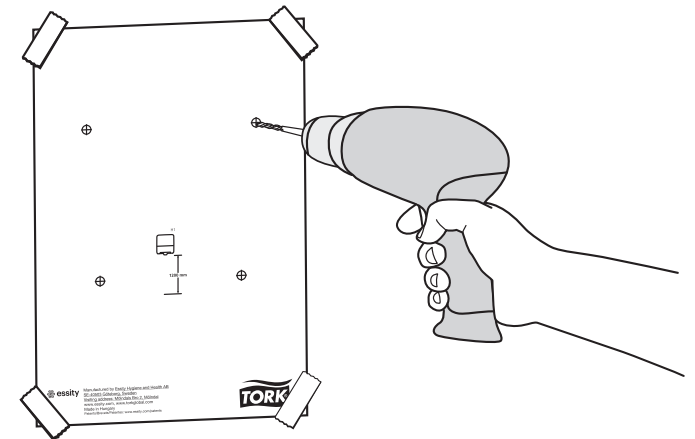
7.





1.

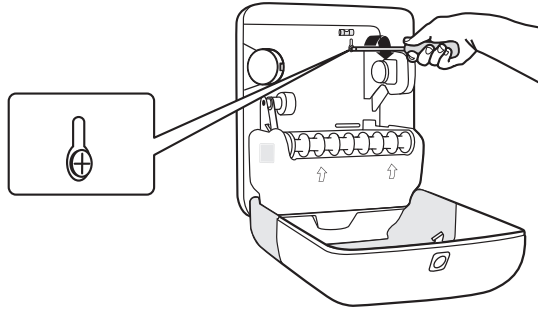


2.

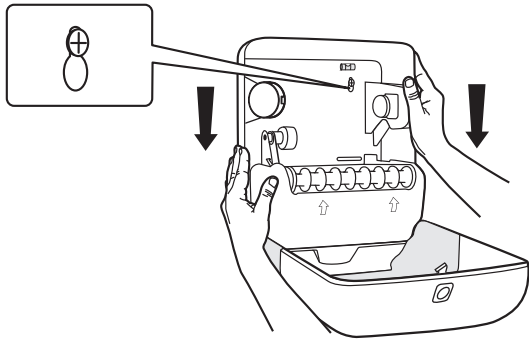


3.



-  x 2
-  x 2

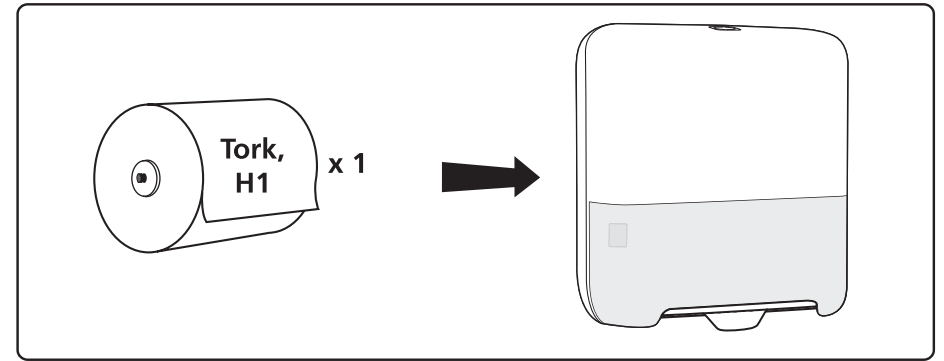
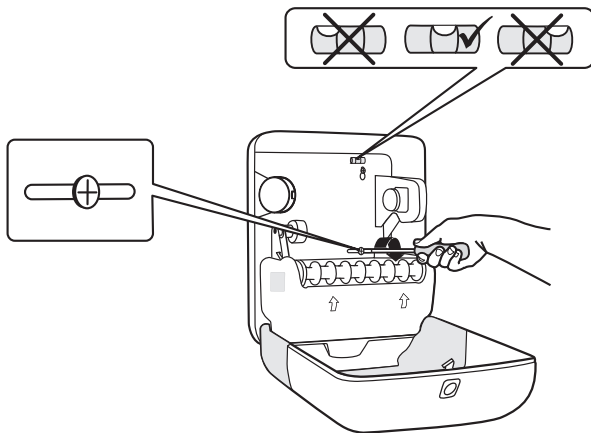


4.

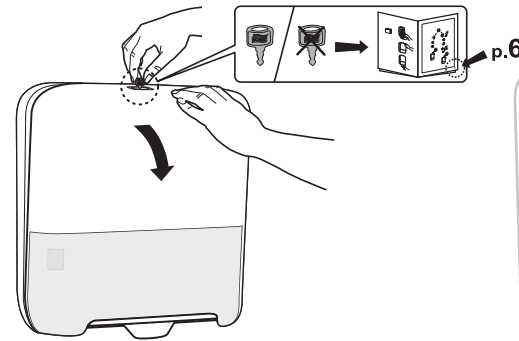


5.

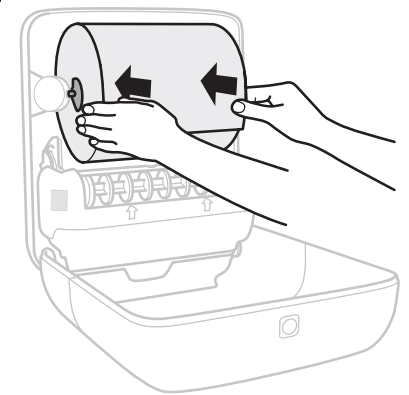
-  x 2
-  x 2



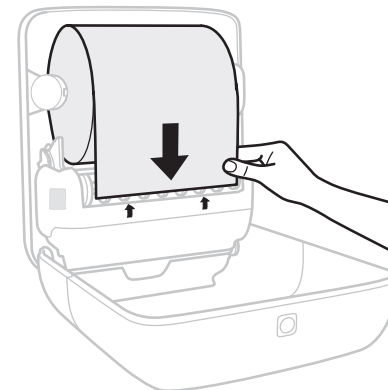
1.



2.



3.



4.

